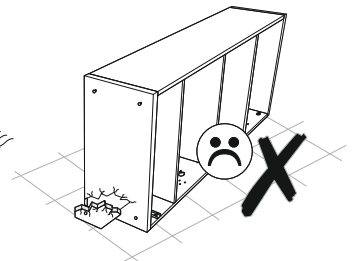
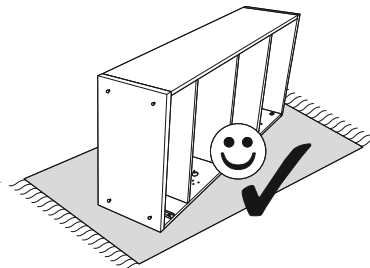
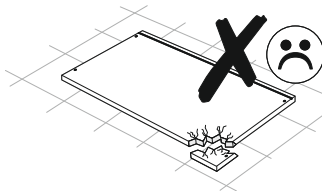
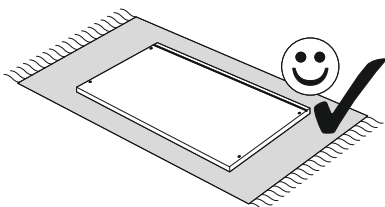
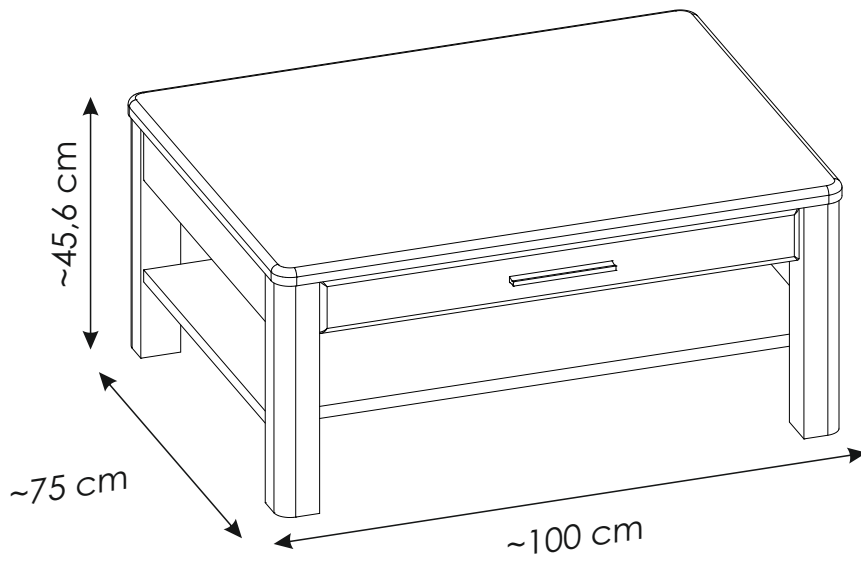
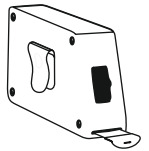
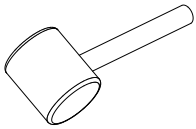
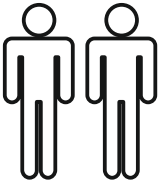


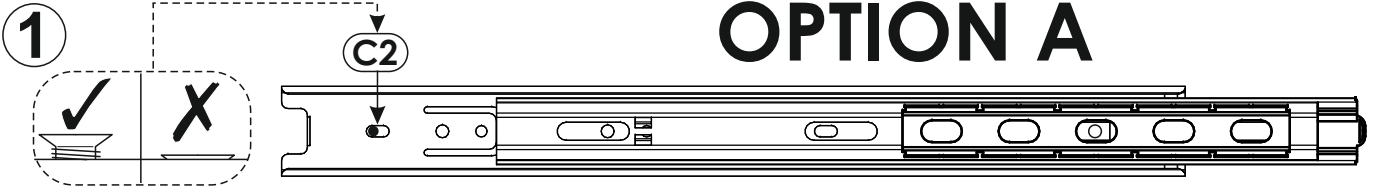
GRNT01



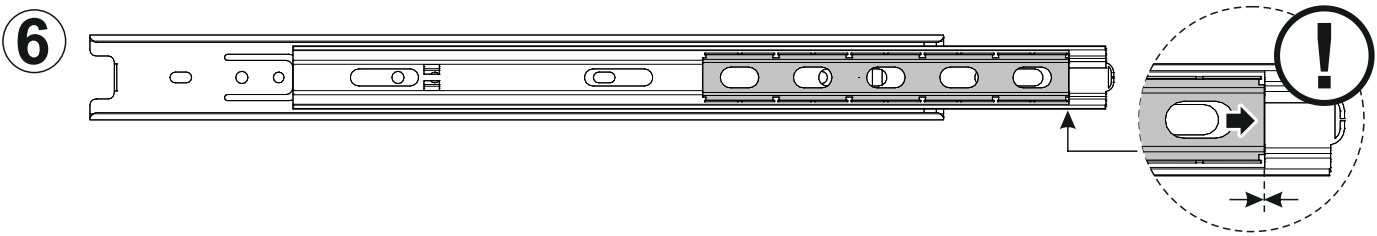
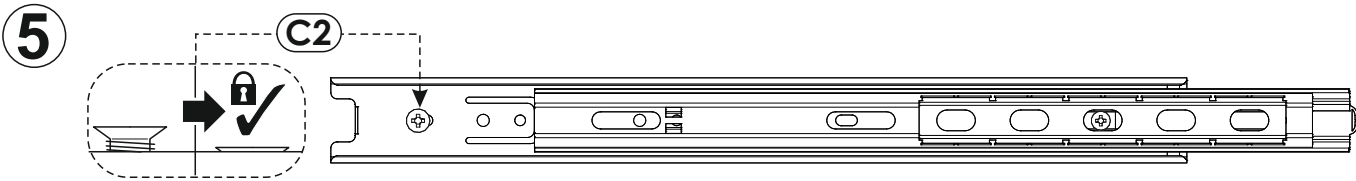
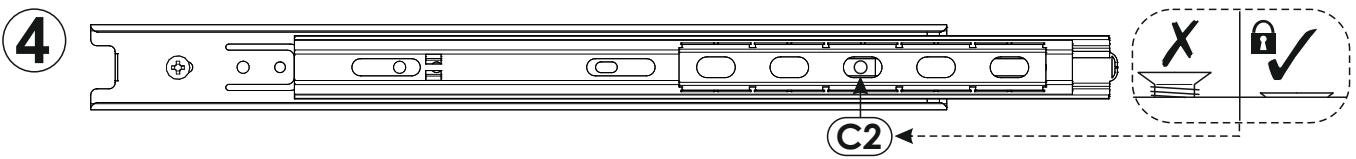
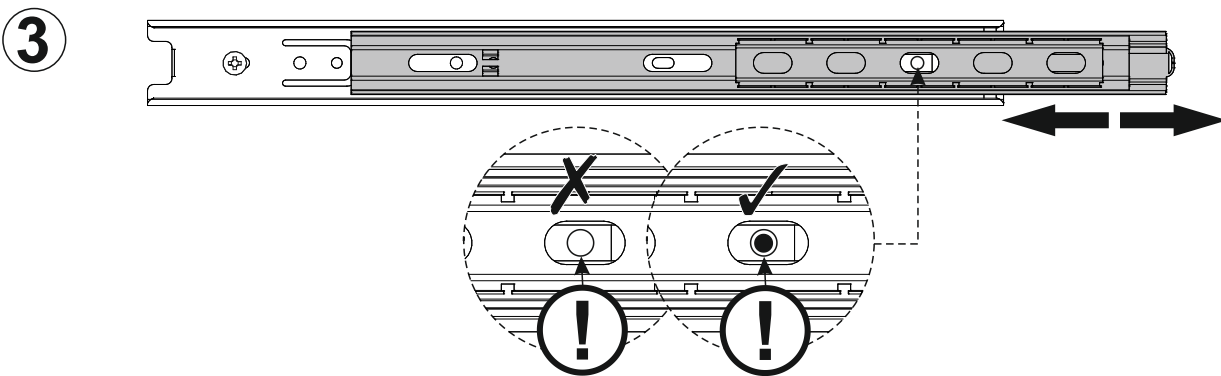
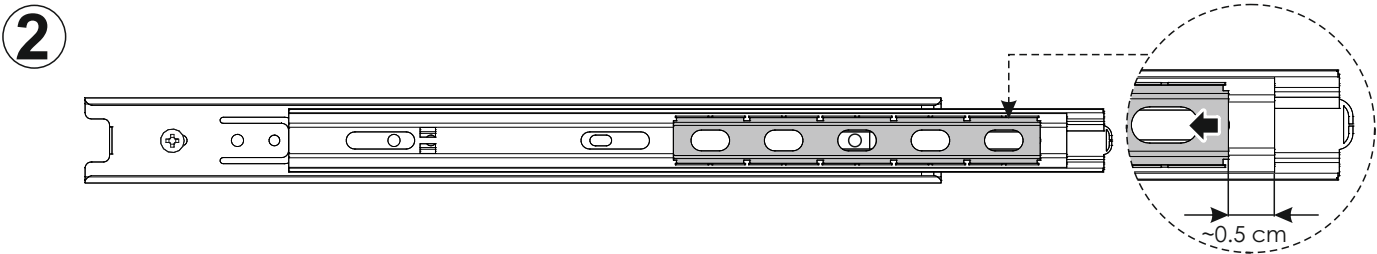
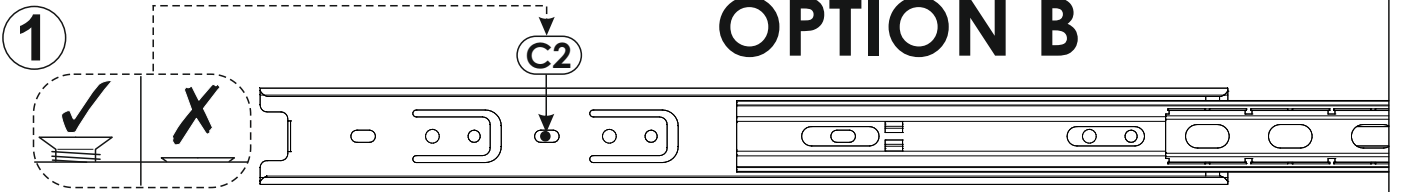


GRNT01

OPTION A

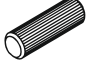

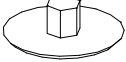

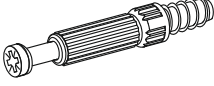



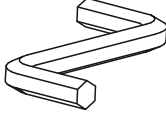
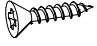


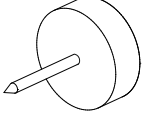
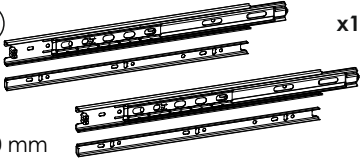


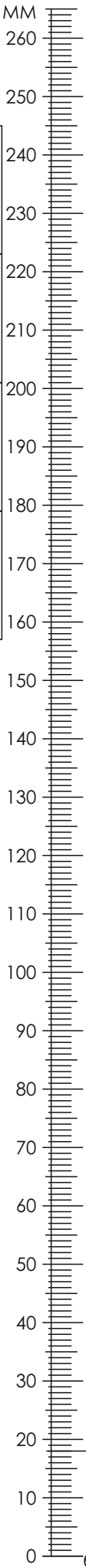
OPTION B



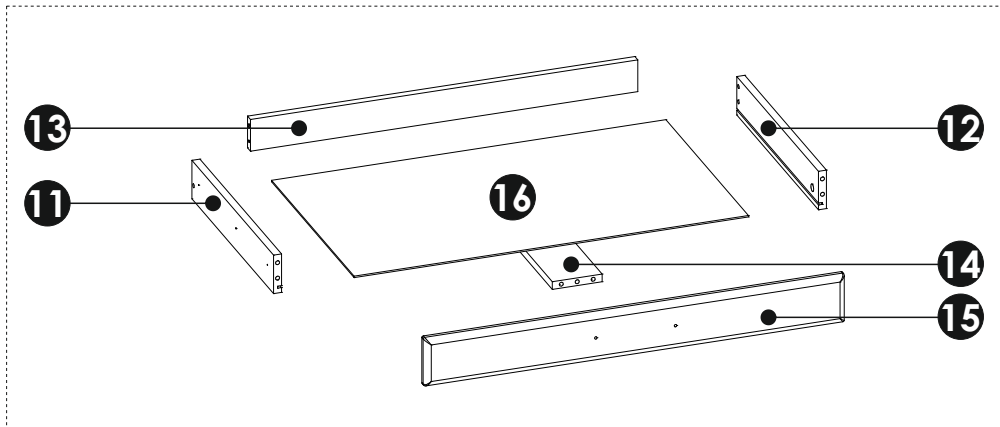
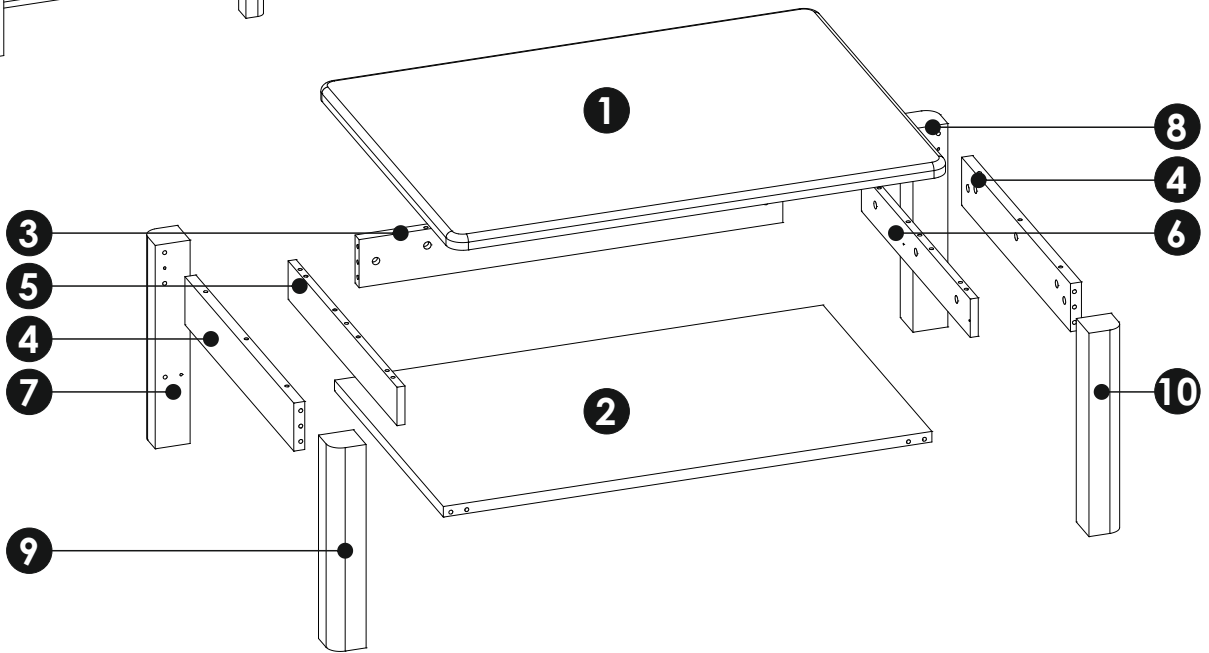
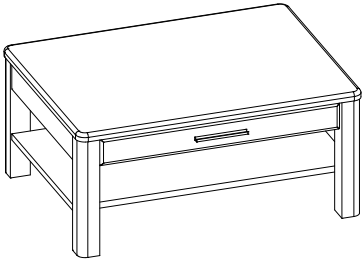
FRONT

GRNT01

A1 8 x 35 mm x30 	C2 5 x 13 mm x4 	E0 Ø16 x28 
E1 15 x 12 mm x28 	F1 6 x 34 mm x28 	G1 7 x 50 mm x2 
H1 L - 180 mm x1 	I5 3,5 x 27 mm x2 	M x1 
N1 3 x 16 mm x10 	N5 3,5 x 16 mm x6 	N9 3,5 x 40 mm x2 
O2 x8 	PW x1  L - 450 mm	

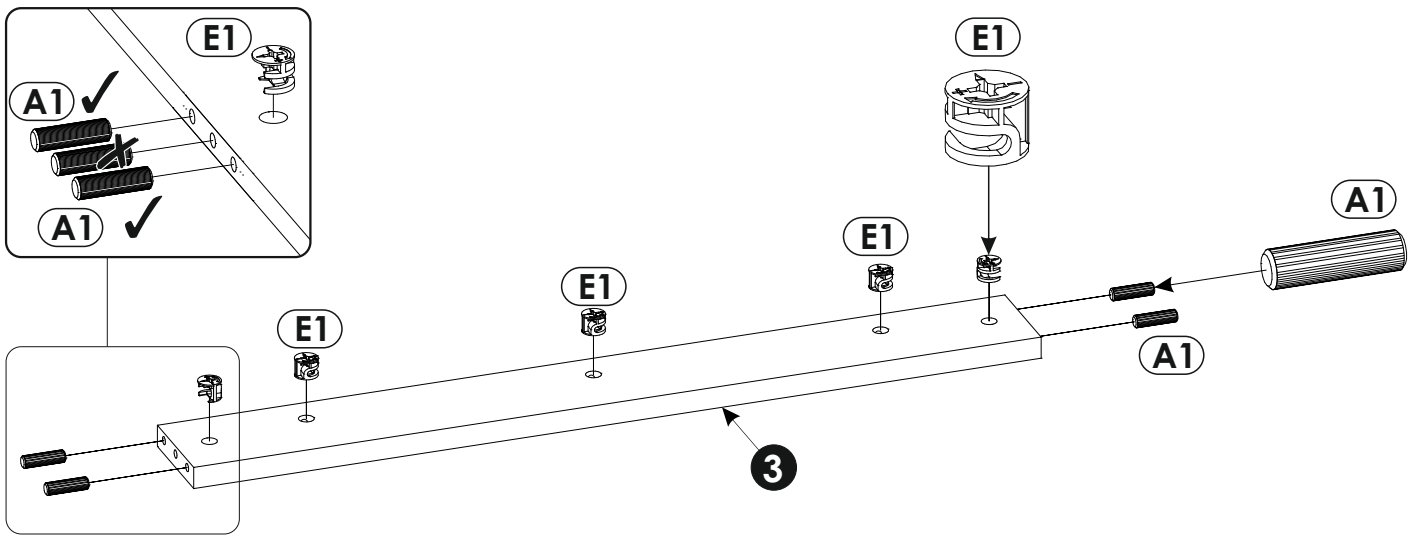
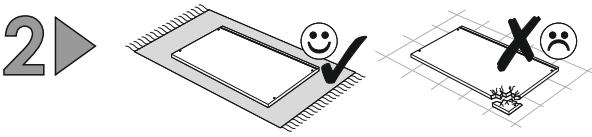
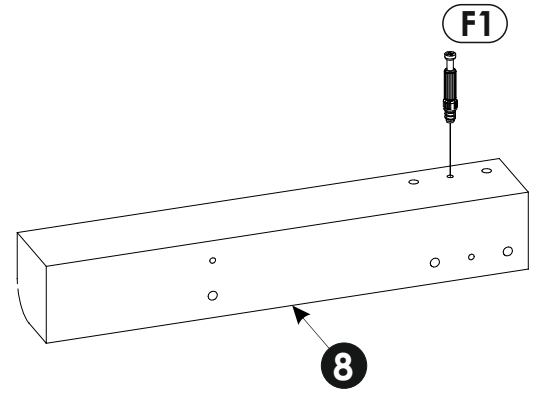
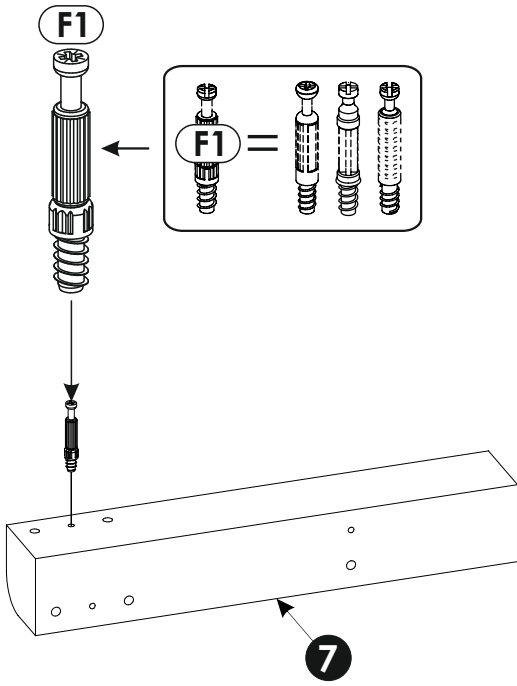
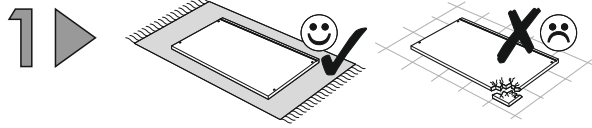
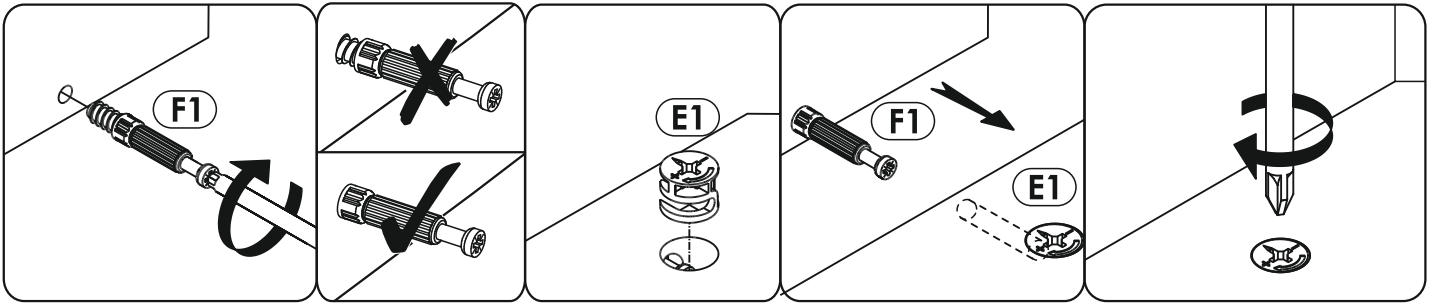


GRNT01

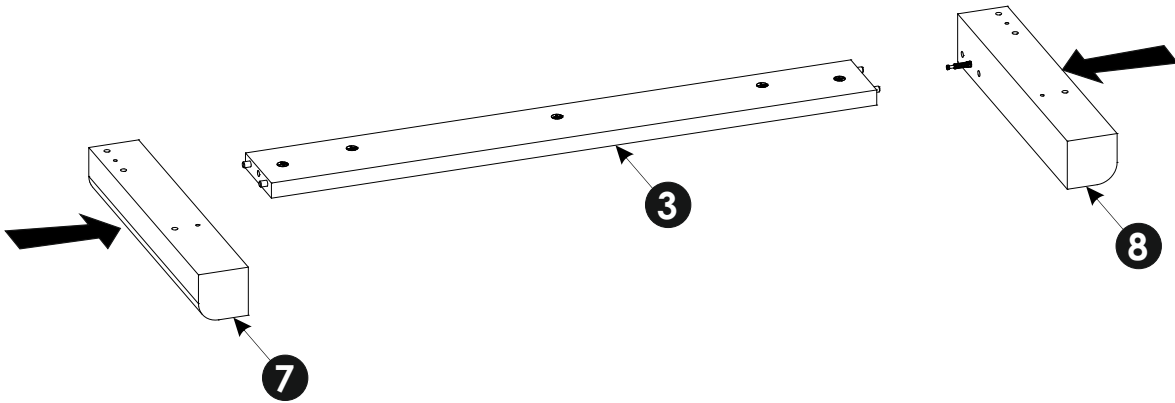
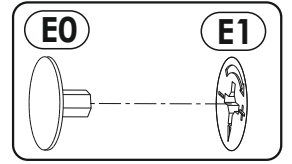
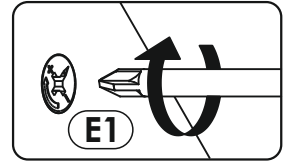
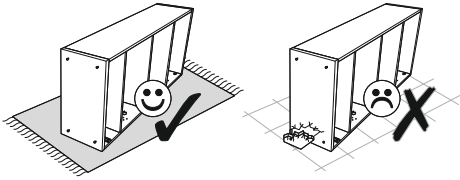


1	1000	750	28	x1	2/2
2	980	600	22	x1	2/2
3	850	100	22	x1	1/2
4	600	100	22	x2	1/2
5	600	80	16	x1	1/2
6	600	80	16	x1	1/2
7	423	70	70	x1	1/2
8	423	70	70	x1	1/2

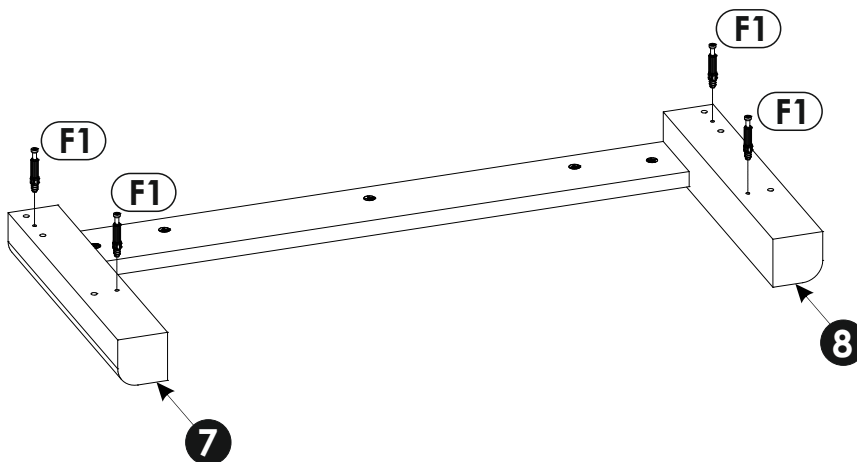
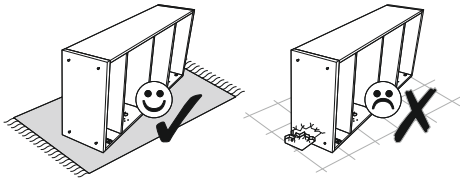
9	423	70	70	x1	1/2
10	423	70	70	x1	1/2
11	450	80	16	x1	1/2
12	450	80	16	x1	1/2
13	777	66	16	x1	1/2
14	450	100	16	x1	1/2
15	844	100	19	x1	2/2
16	791	455	3	x1	2/2



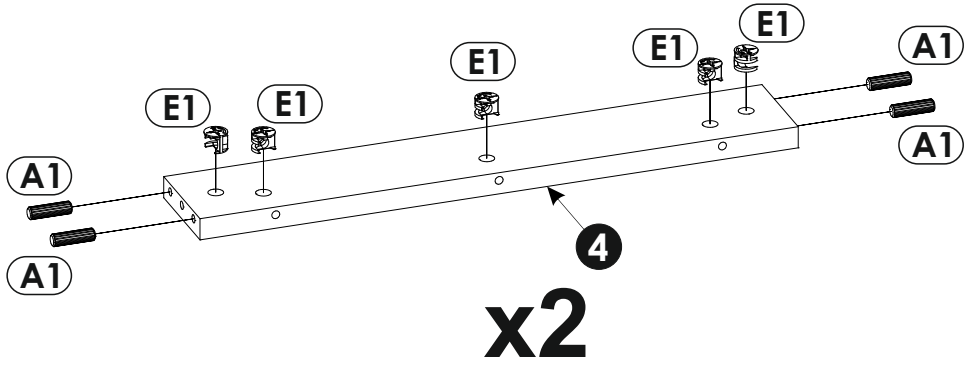
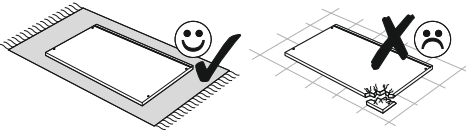
3 ▶



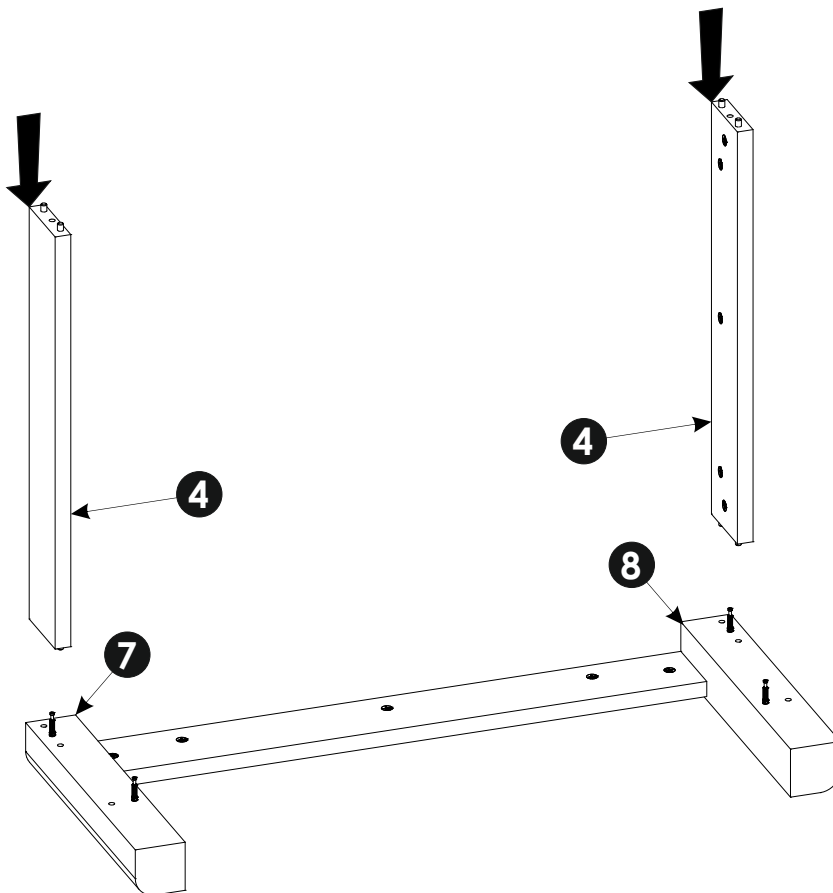
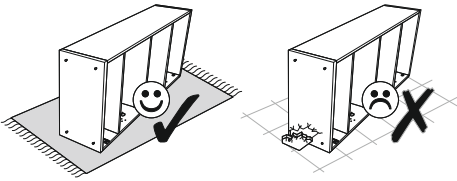
4 ▶



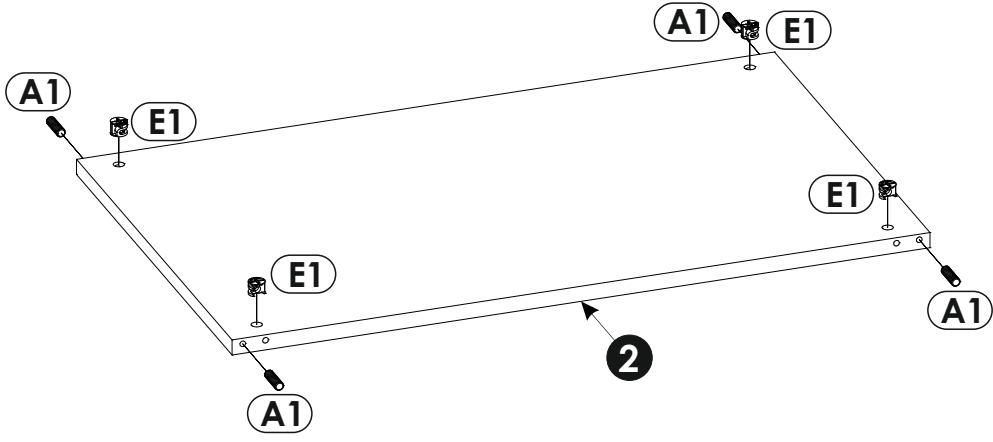
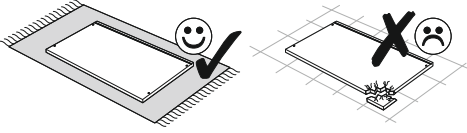
5 ▶



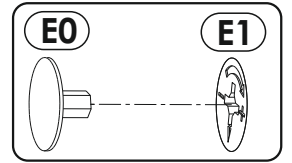
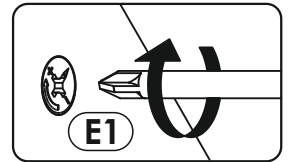
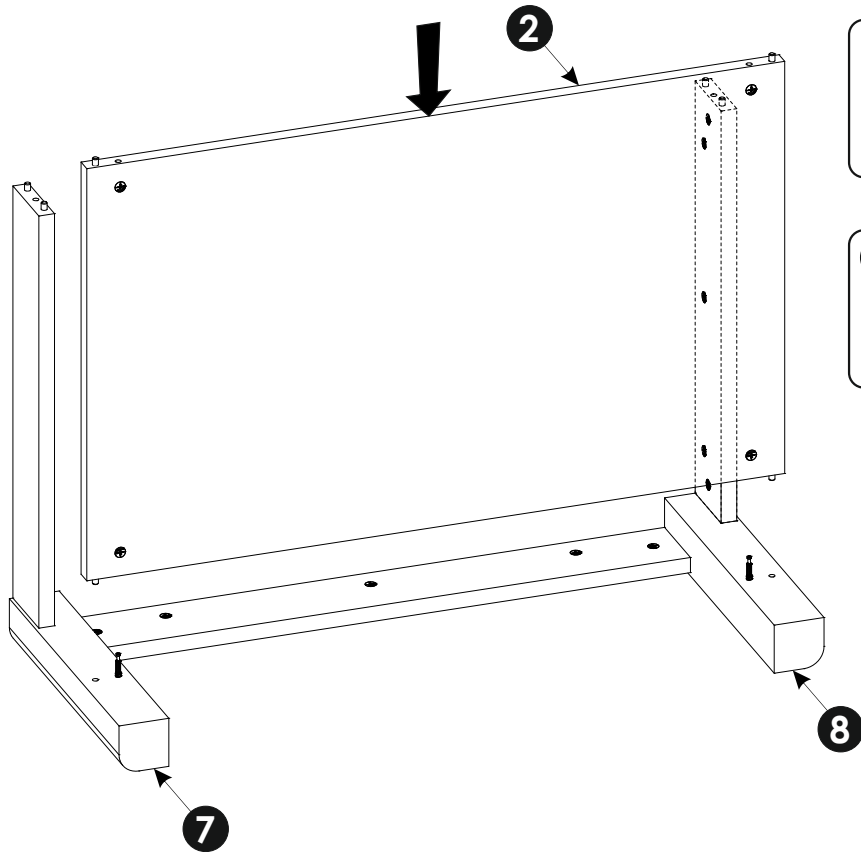
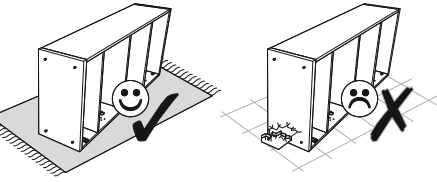
6 ▶



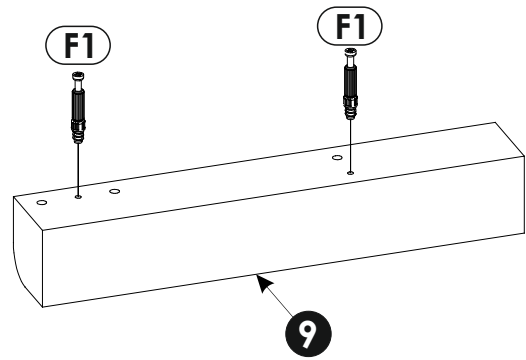
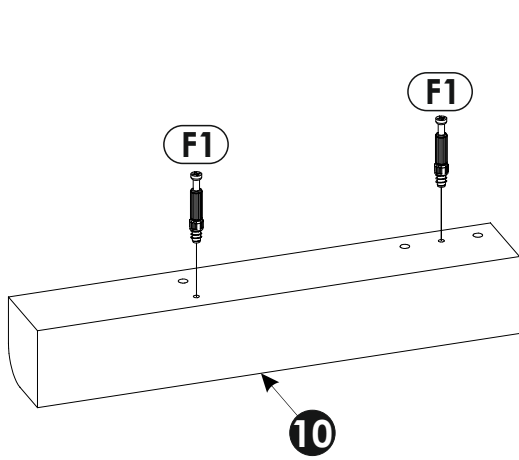
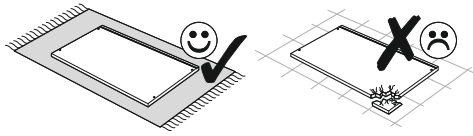
7 ▶



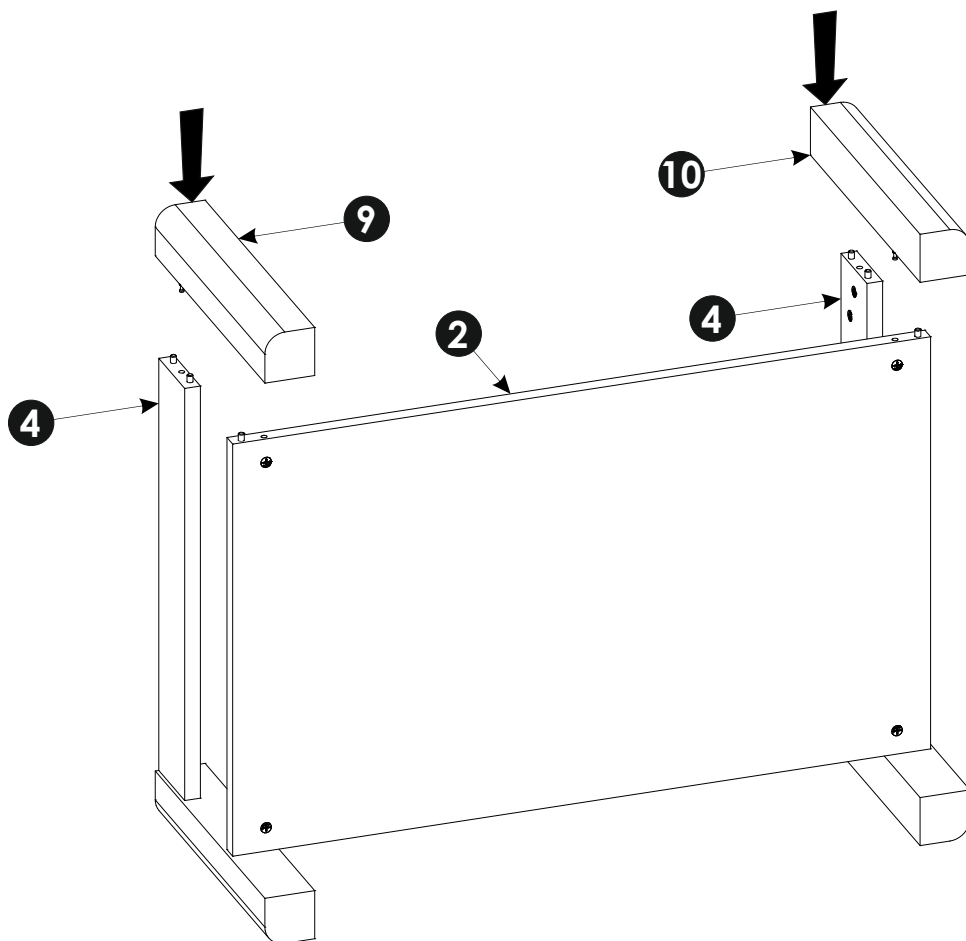
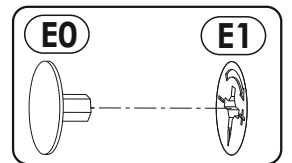
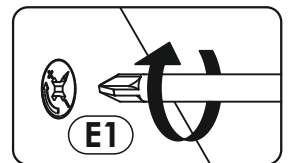
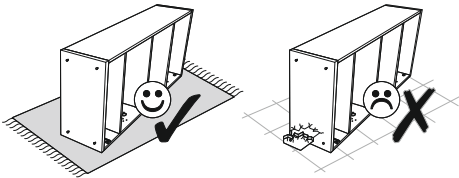
8 ▶



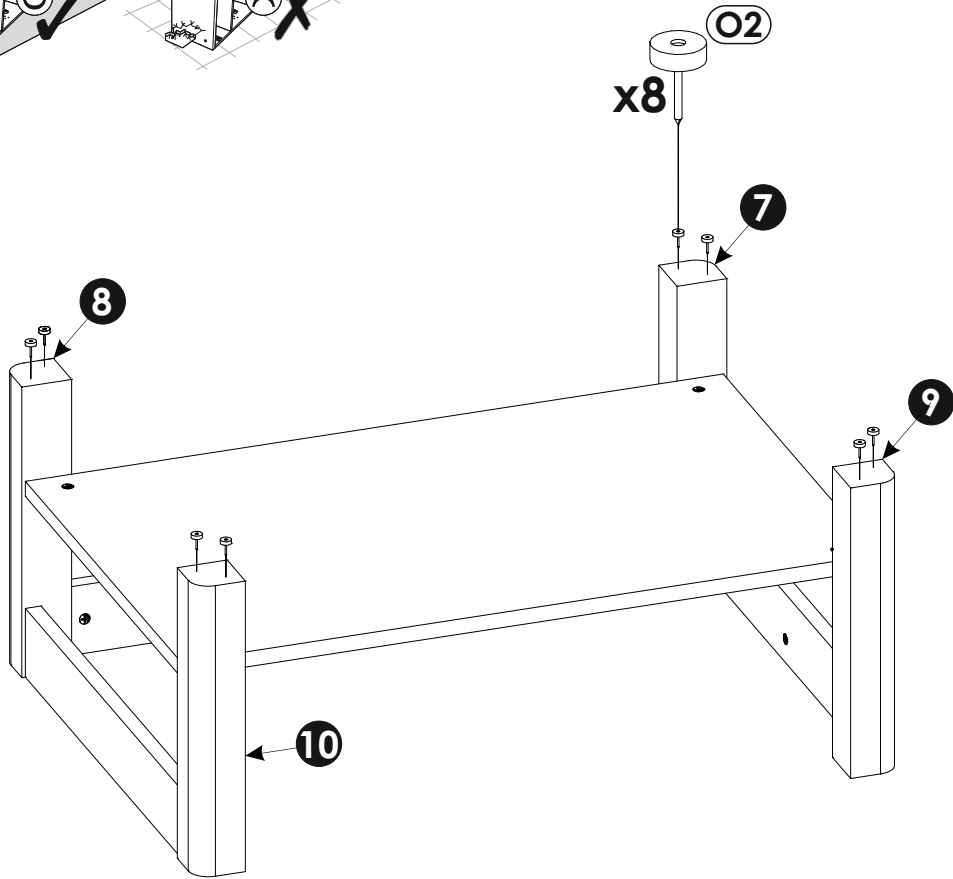
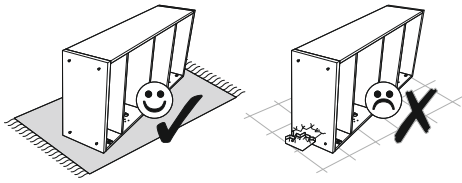
9 ▶



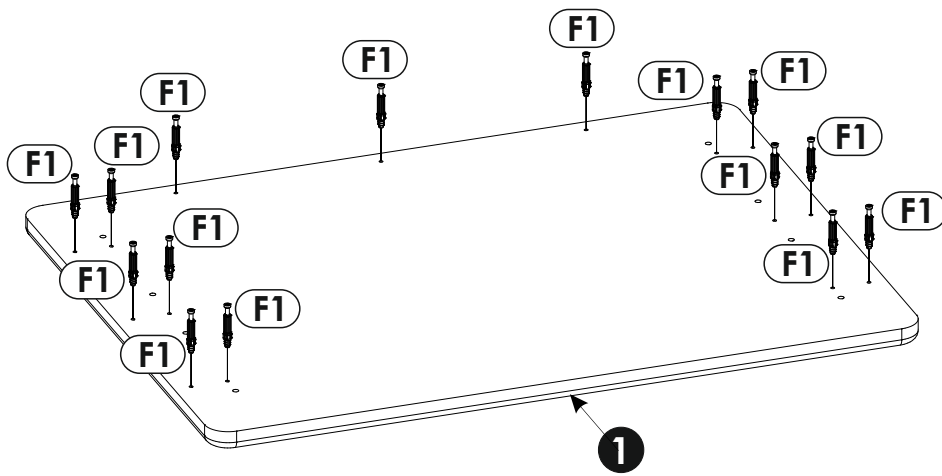
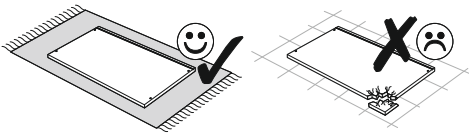
10 ▶



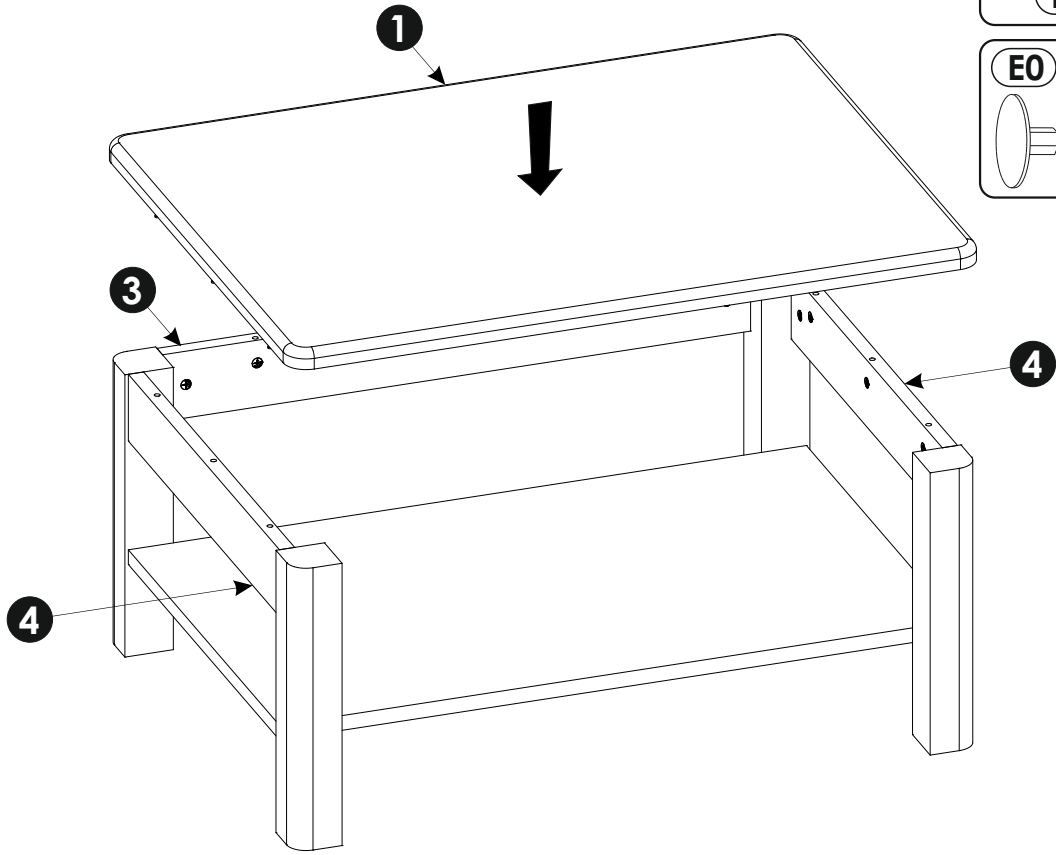
11 ▶



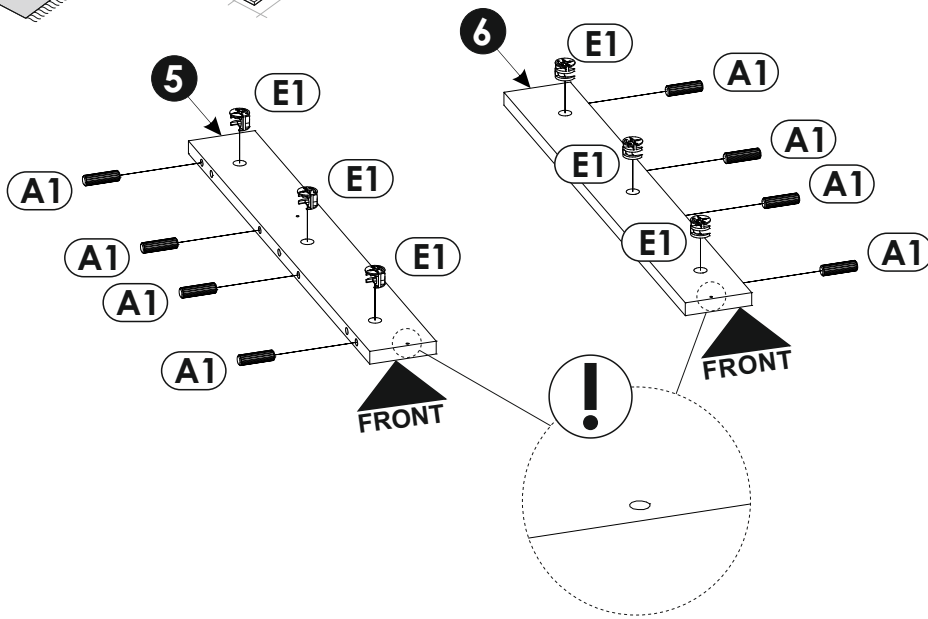
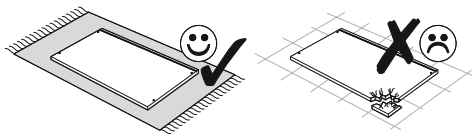
12 ▶



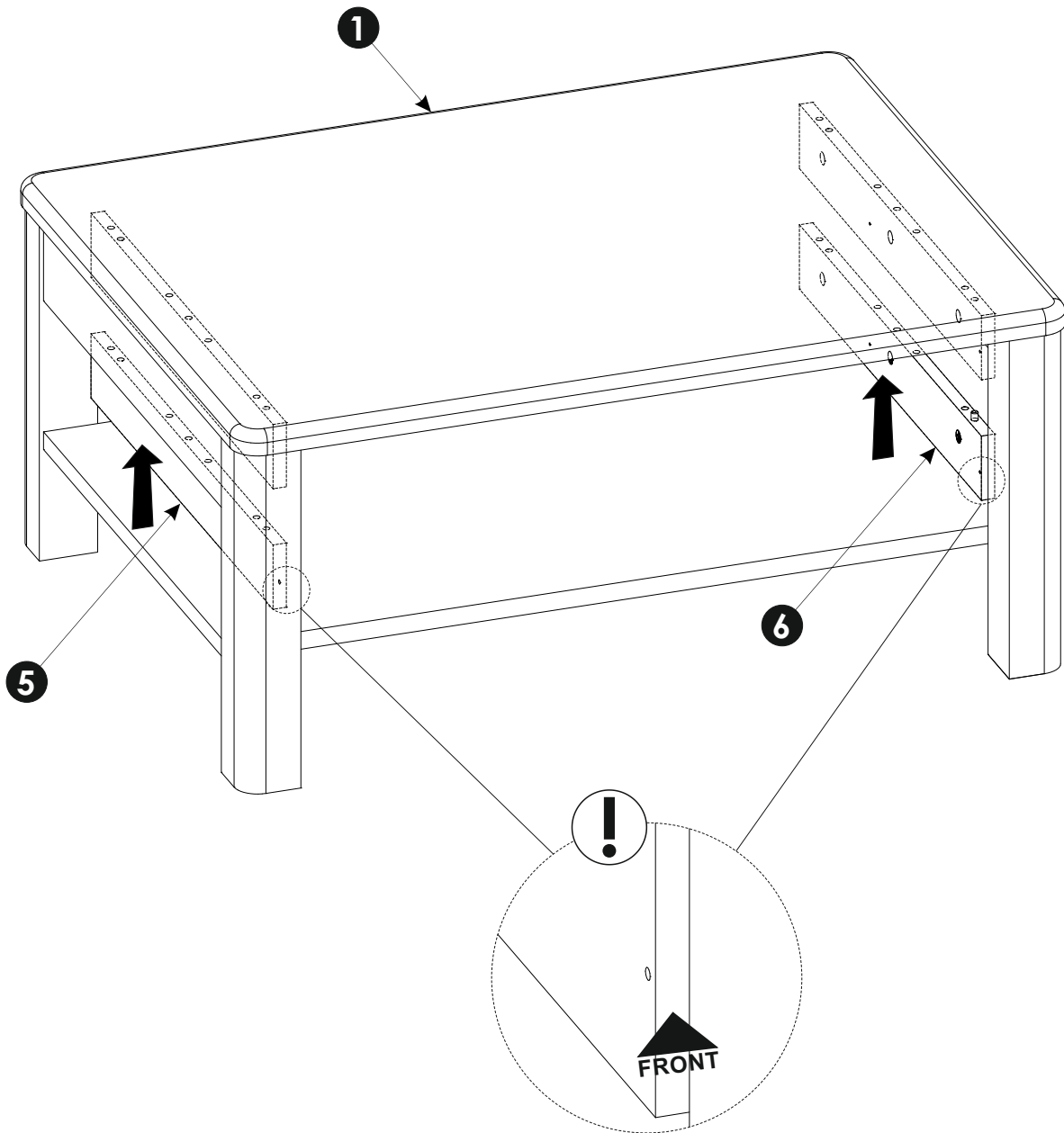
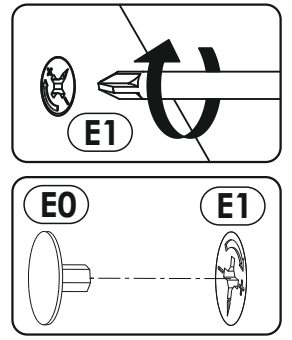
13▶

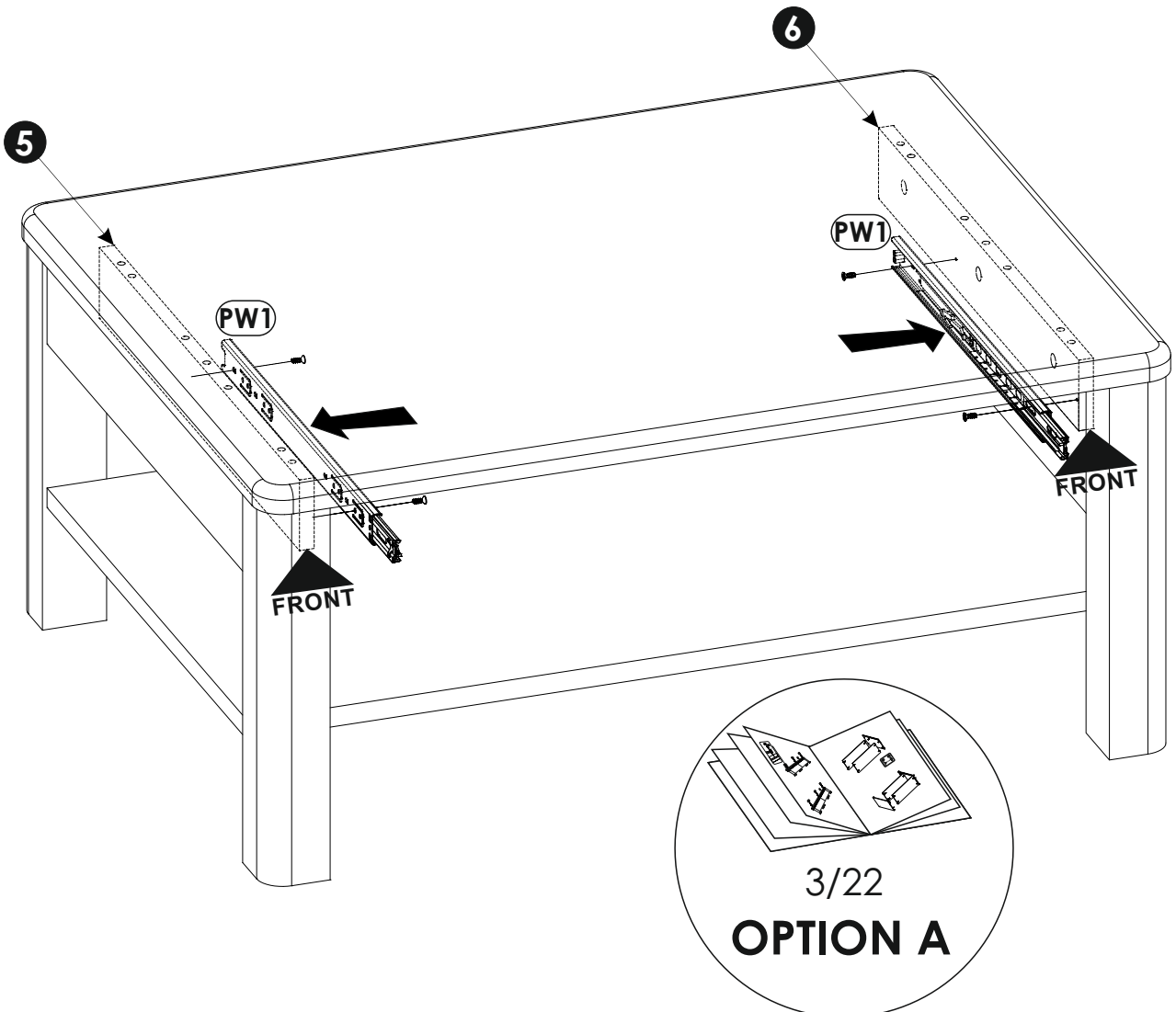
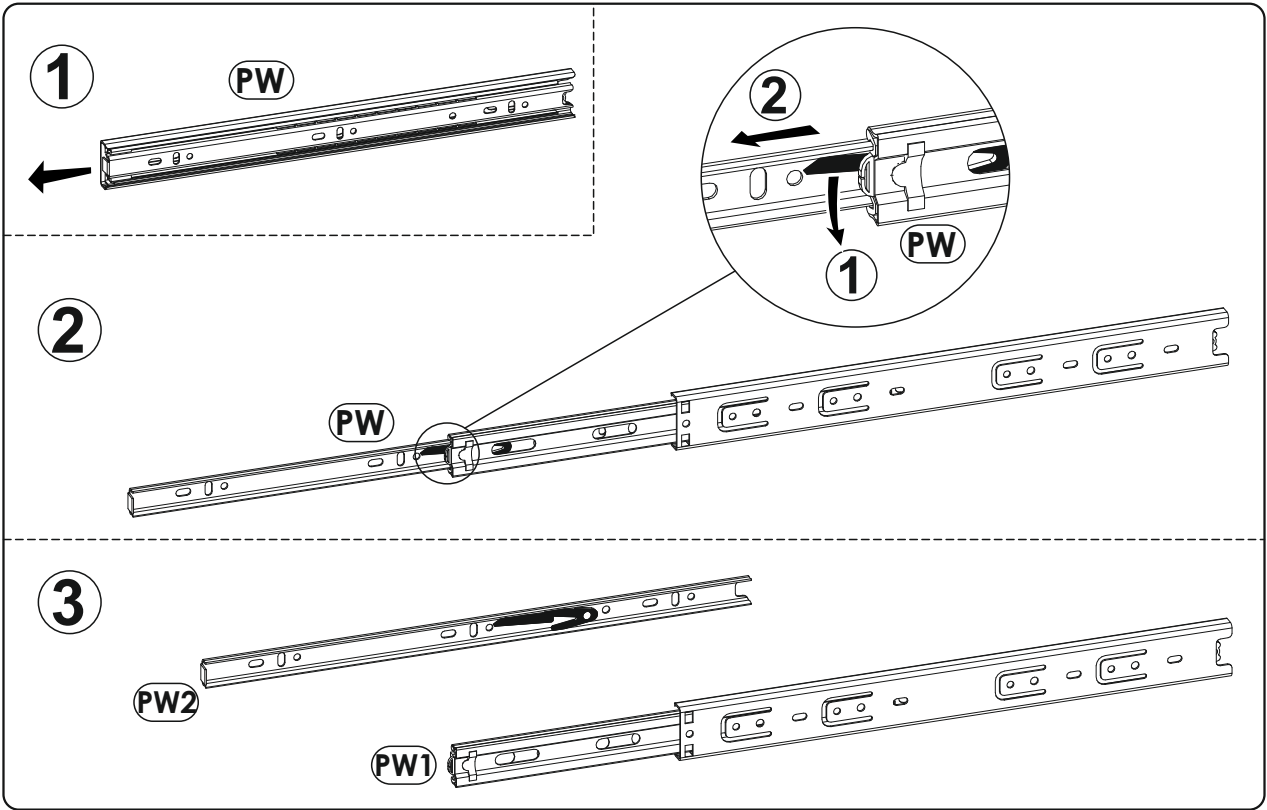


14▶

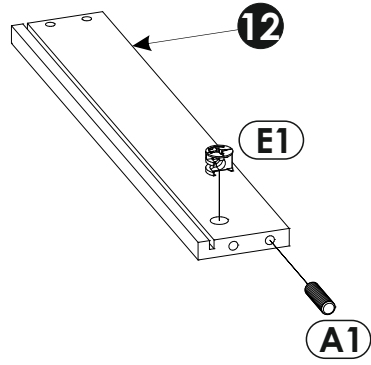
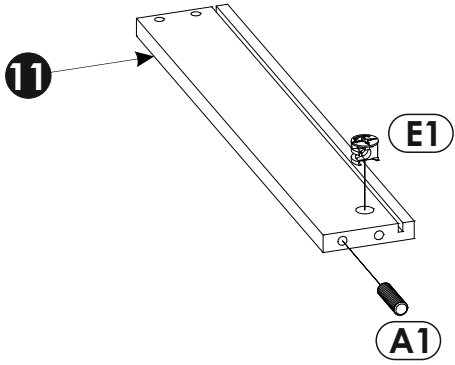
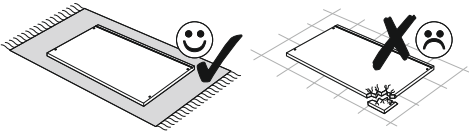


15▶

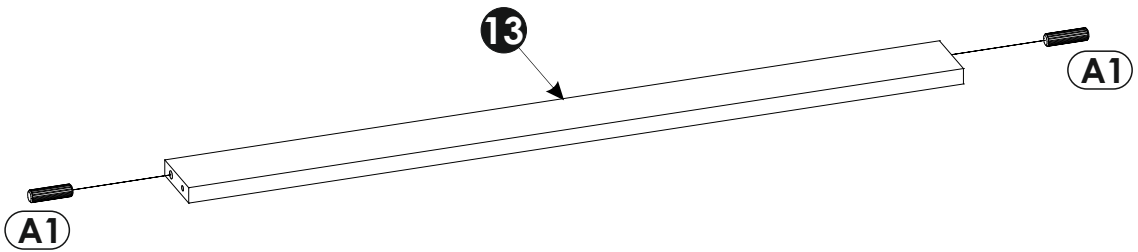
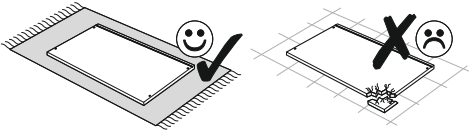




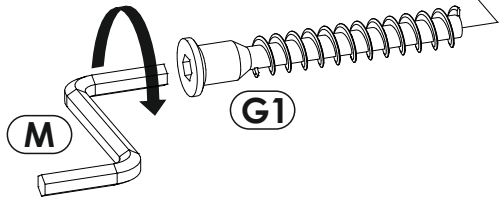
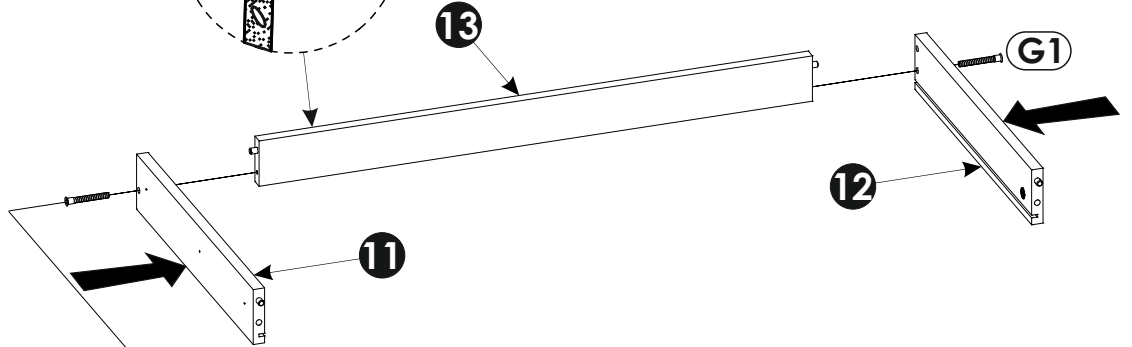
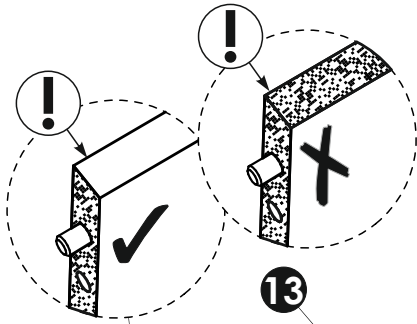
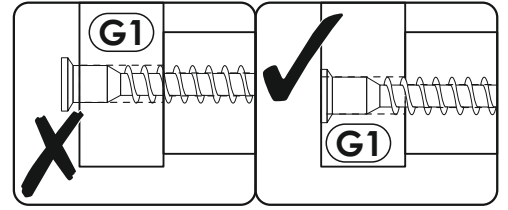
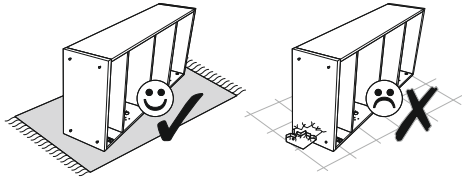
17▶



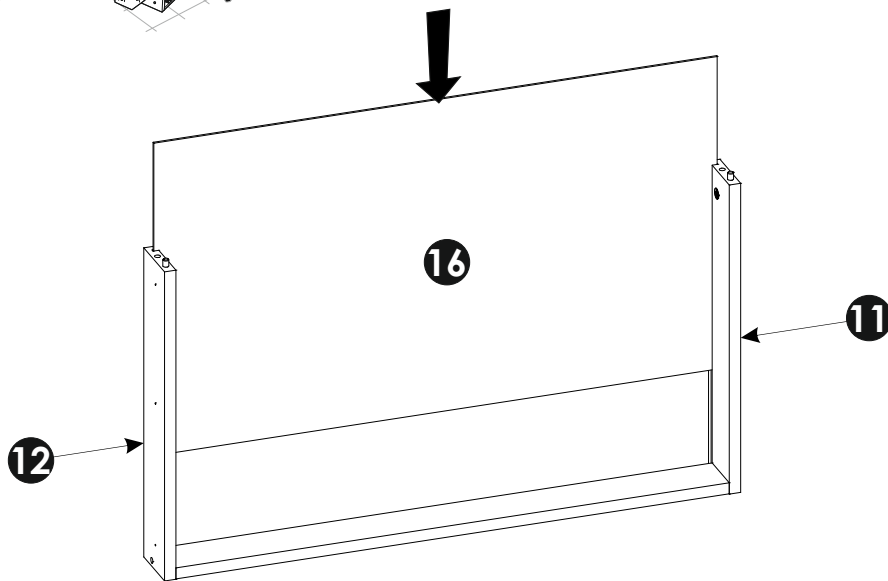
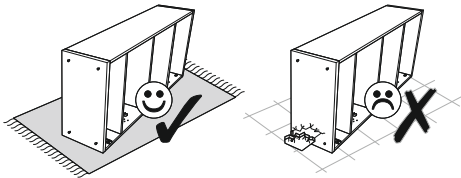
18▶



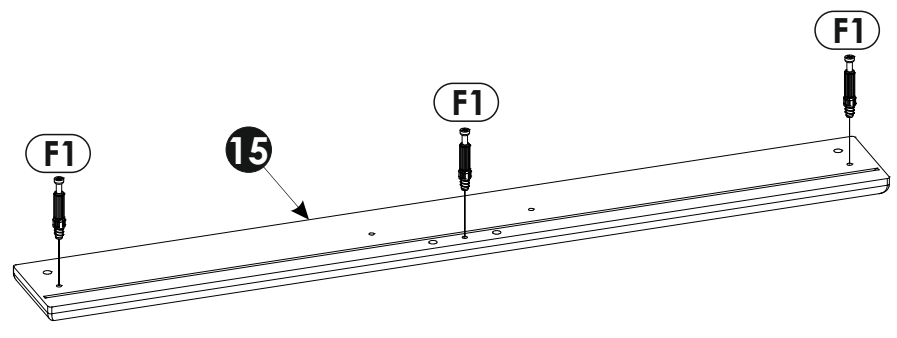
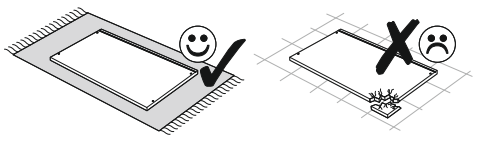
19 ▶



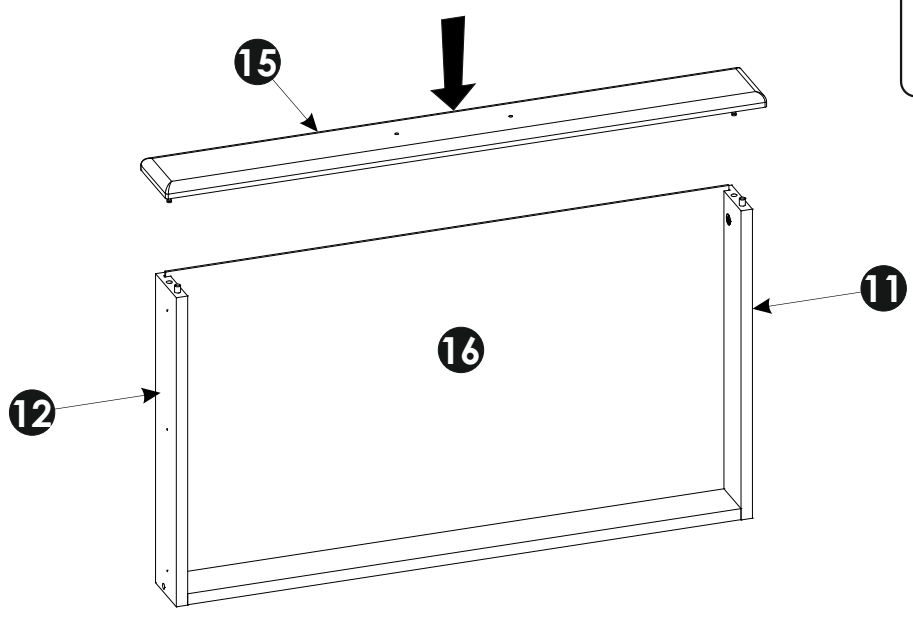
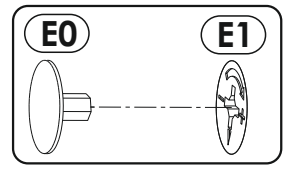
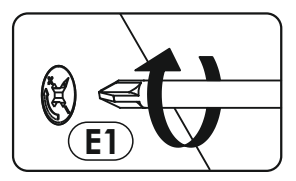
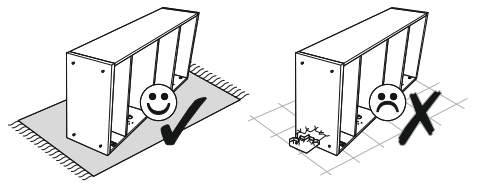
20 ▶



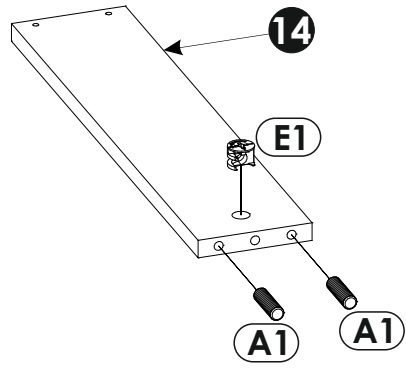
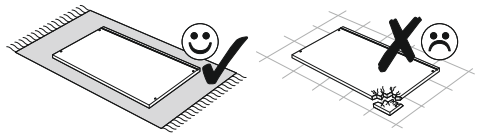
21 ▶



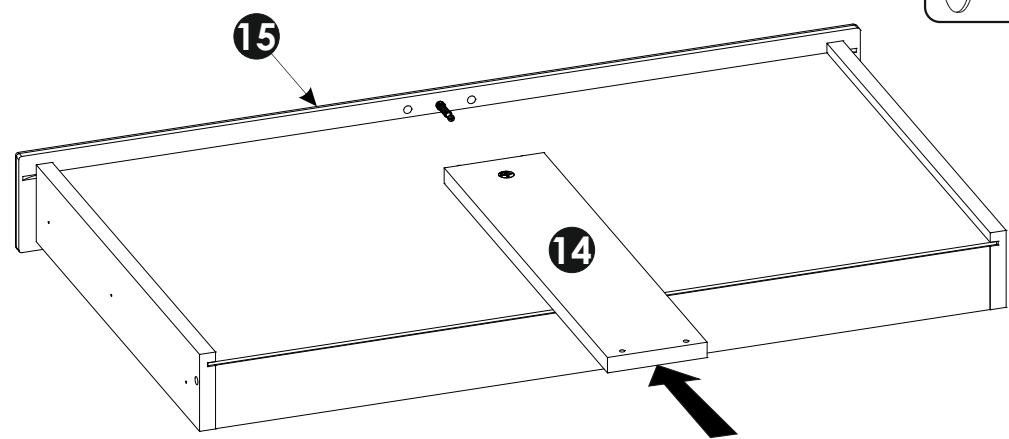
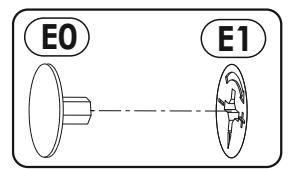
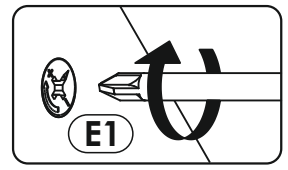
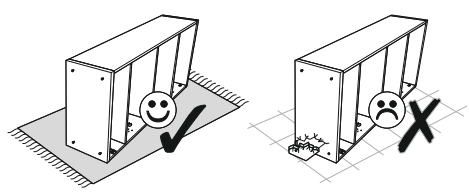
22 ▶



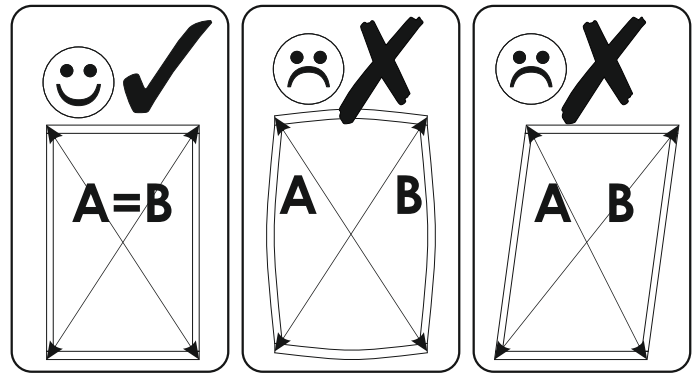
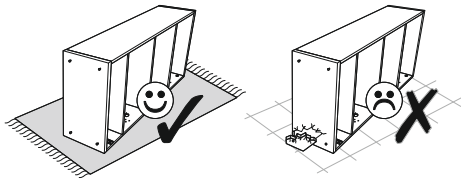
23▶



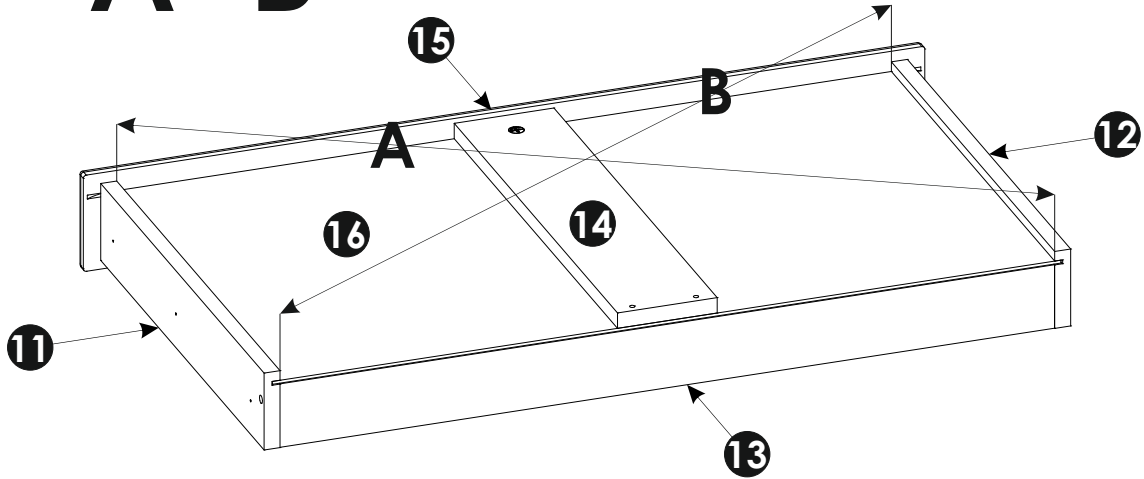
24▶



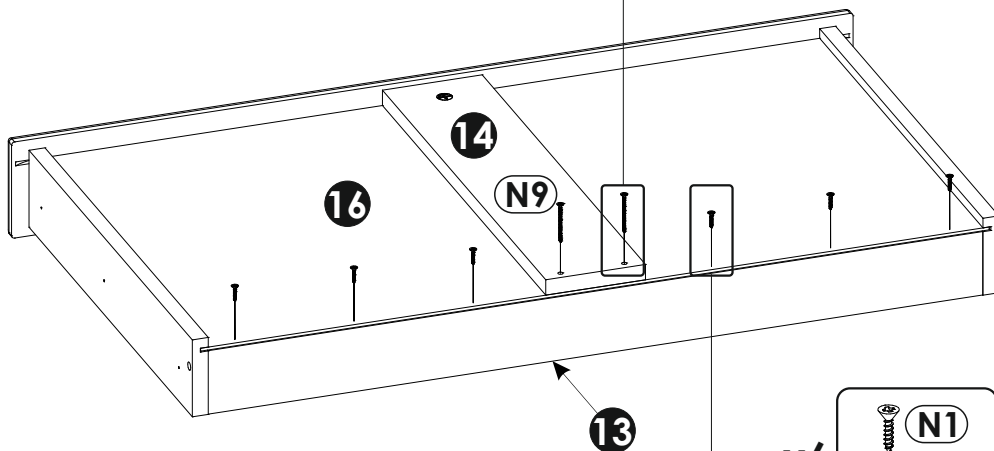
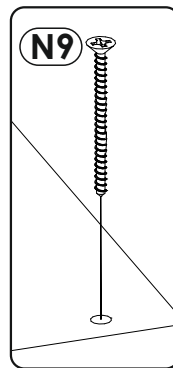
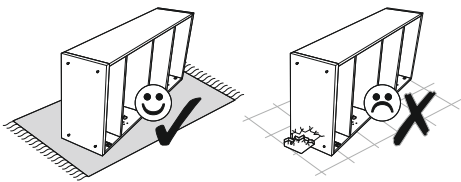
25 ▶



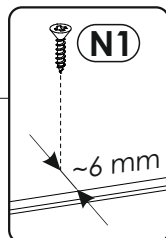
A=B



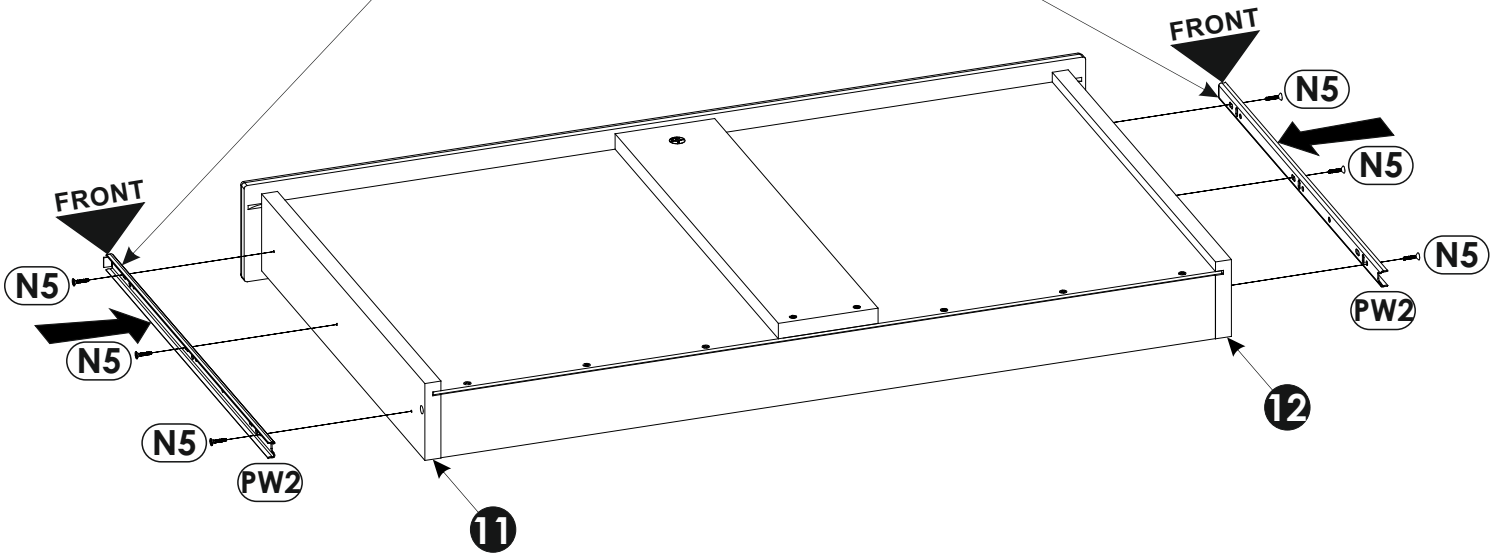
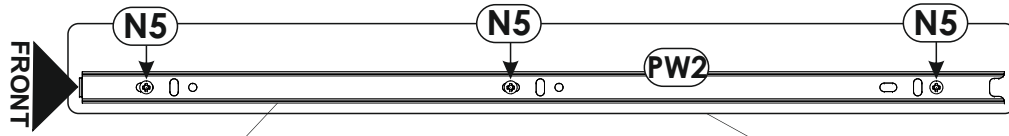
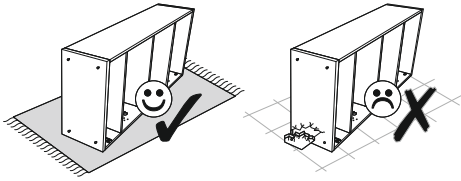
26 ▶



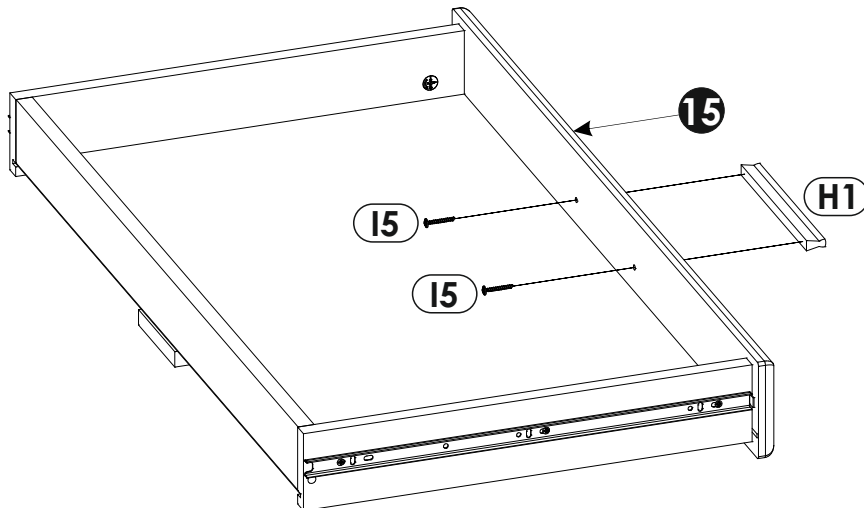
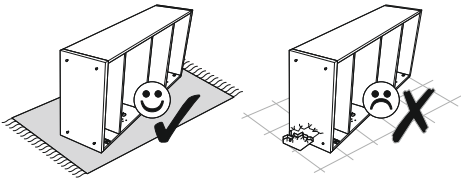
x6



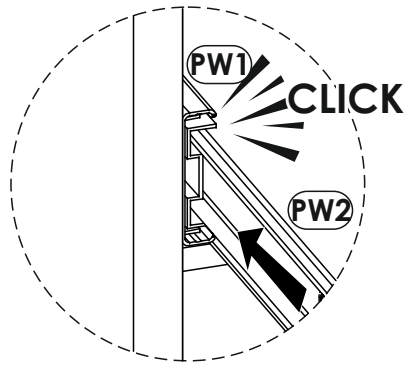
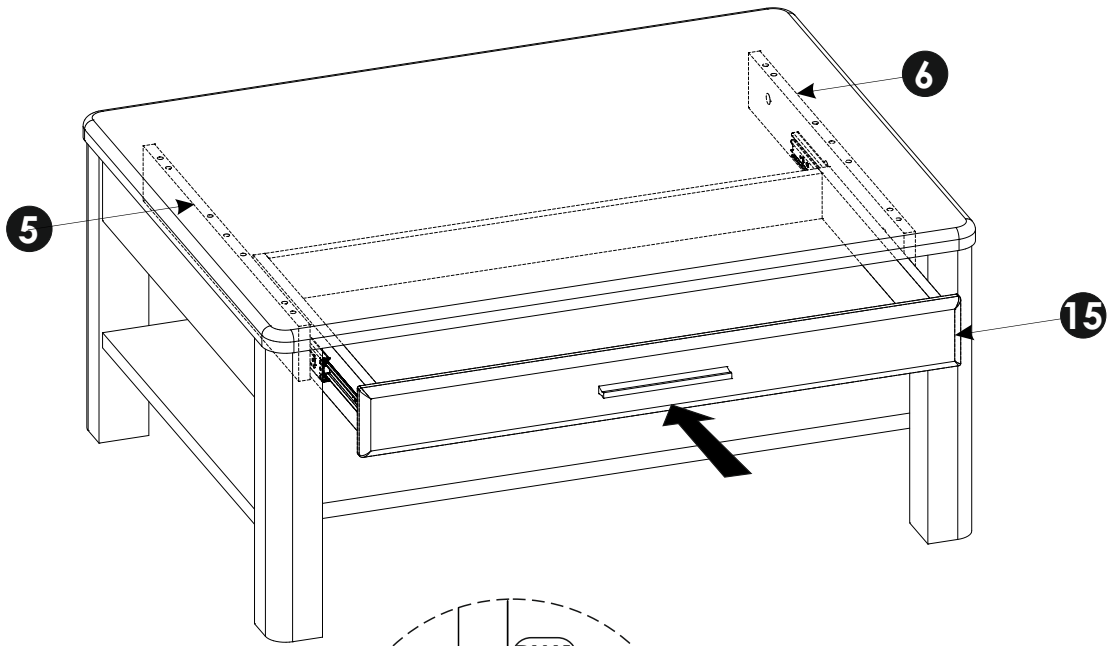
27 ▶



28 ▶



29 ▶



30 ▶

